

AT-2YZ1004EZ1-VU (PRO)

4 MP ColorView Fixed Turret Network Camera



- High quality imaging with 4 MP resolution
- 24/7 colorful imaging
- Support Human Detection
- Water and dust resistant (Ip67)
- Clear imaging even with strong back lighting due to 120 dB WDR
- Efficient H.265+ compression technology
- Built-in microphone for real-time audio security



Follow us :



Customer Care : **18008910889**

www.viewvisionindia.com



• **Specification**

Camera	
Image Sensor	1/2.7", SMP Low Illumination CMOS Sensor
Max. Resolution	2592 x 1904
Shutter Time	1/3 s to 1/100,000 s
Min. Illumination	Color: 0.001 Lux @ (F1.0, AGC ON), 0 Lux with light
Day & Night	24/7 color imaging
Angle Adjustment	Pan: 0° to 360°, tilt: 0° to 75°, rotate: 0° to 360°
Lens	
Lens Type	Fixed focal lens, 4 mm
Focal Length & FOV	4 mm, horizontal FOV: 75°, vertical FOV: 40°, diagonal FOV: 89°
Lens Mount	M12
Iris Type	Fixed
Aperture	F1.0
Depth of Field	4 mm: 2.7 m to ∞
DORI	
DORI	4 mm, D: 82 m, O: 32 m, R: 16 m, I: 8 m
Illuminator	
Supplement Light Type	Warm Light
Supplement Light Range	Up to 30 m
Smart Supplement Light	Yes
Video	
Main Stream	20 fps(2592*1904) (2560 × 1440) (2304*1296) 25 FPS(1920 × 1080)
Sub-Stream	D1(720*576),VGA(640*480),Q720P(640*360) CIF(352*288),QVGA(320*240)
Video Compression	Main stream: H.265+/H.265/H.264+/H.264, Sub-stream: H.265/H.264/MJPEG
Video Bit Rate	32 Kbps to 8 Mbps
H.264 Type	Baseline Profile, Main Profile, High Profile
H.265 Type	Main Profile
Bit Rate Control	CBR, VBR
Region of Interest (ROI)	1 fixed region(s) for main stream
Audio	
Audio Type	Mono sound
Environment Noise Filtering	Yes
Audio Sampling Rate	8 kHz/16 kHz
Audio Compression	G.710U/G.711 A, 64kbps

Follow us :



Customer Care : **18008910889**

www.viewvisionindia.com



Audio Bit Rate	64 Kbps (G.711 ulaw)/64 Kbps (G.711 alaw)/16 Kbps (G.722.1)/16 Kbps (G.726)/32 to 160 Kbps (MP2L2)/16 to 64 Kbps (AAC-LC)
Network	
Protocols	TCP/IP, ICMP, DHCP,
Connection Protocol	Slink, Onvif, GB28181 (option)
Security Mode	Authorized user name and password, HTTPS encryption, AES connecting encryption, RTSP verification
Motion Detection	Set detection area, can set multi-level sensitivity
Occlusion Alarm	Support 1 area
Privacy Mask	Support 4 areas
Schedule Linkage	Snapshot, email
Device Abnormal Inspection	Support network broken alarm, IP conflict alarm, illegal visiting alarm
Character Overlay (OSD)	Title, time and date overlay, multi-line, and color of characters optional
Client	P6S LITE
Web Browser	Plug-in required live view: IE 10, IE 11 Local service: Chrome 57.0+, Firefox 52.0+
Image	
Wide Dynamic Range (WDR)	120 dB
SNR	≥ 52 dB
Day/Night Switch	Day, Night, Auto, Schedule
Image Enhancement	BLC, HLC, 3D DNR
Image Settings	Rotate mode, saturation, brightness, contrast, sharpness, gain, white balance, adjustable by client software or web browser
Privacy Mask	4 programmable polygon privacy masks
Interface	
Ethernet Interface	1 RJ45 10 M/100 M self-adaptive Ethernet port
Built-in Microphone	Yes
Event	
Basic Event	Motion detection, video tampering alarm, exception
Linkage	notify surveillance center, send email, trigger capture
General	
Power	12 VDC ± 25%, 0.4 A, max. 5 W, Ø 5.5 mm coaxial power plug PoE: 802.3af, Class 3, 36 V to 57 V, 0.2 A to 0.15 A, max. 6.5 W
Material	Metal & Plastic
Dimension	Ø 180mm x 55mm x 55mm
Package Dimension	193mm x 95mm x 95mm
Weight	Approx. 420 g (0.9 lb.)
With Package Weight	Approx. 650 g (1.4 lb.)
Storage Conditions	-30 °C to 60 °C (-22 °F to 140 °F). Humidity 95% or less (non -condensing)
Startup and Operating Conditions	-30 °C to 60 °C (-22 °F to 140 °F). Humidity 95% or less (non -condensing)
Language	English
General Function	Heartbeat, anti-banding, mirror, password protection, password reset via qr code

Follow us :



Customer Care : **18008910889**

www.viewvisionindia.com

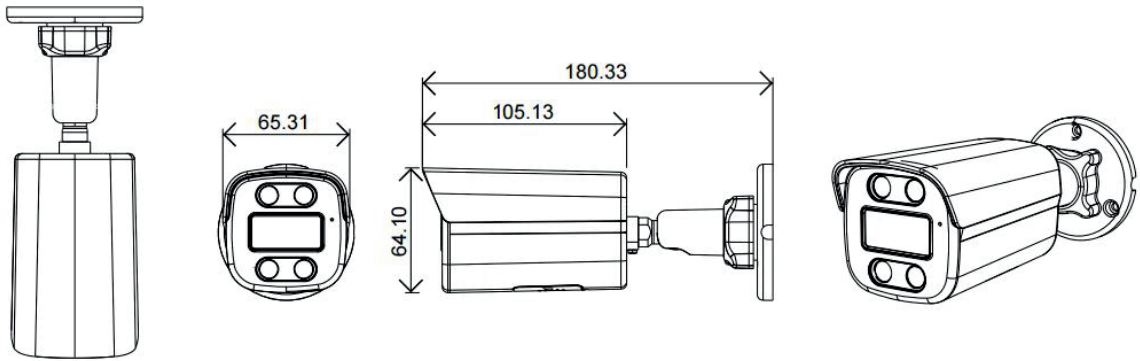


Approval

EMC	FCC: 47 CFR Part 15, Subpart B CE-EMC: EN 55032: 2015, EN 61000-3-2: 2019, EN 61000-3-3: 2013 + A1: 2019, EN 50130-4: 2011 + A1: 2014 RCM: AS/NZS CISPR 32: 2015 KC: KN32: 2015, KN35: 2015
Safety	UL: UL 62368-1 CB: IEC 62368-1: 2014 + A11 CE-LVD: EN 62368-1: 2014/A11: 2017 BIS: IS 13252 (Part 1): 2010/IEC 60950-1: 2005
Environment	CE-RoHS: 2011/65/EU WEEE: 2012/19/EU Reach: Regulation (EC) No 1907/2006
Protection	IP67: IEC 60529-2013

• Available Model

AT-2YZ1004EZ1-VU (PRO)



MADE IN 
BHARAT

देश का
कैमरा

Follow us:



Customer Care: **18008910889**

www.viewvisionindia.com

